

Porcelain Ceiling Receptacle Lampholders

Medium Base
660W 250V
250W 250V
250W 125V



INDUSTRIAL
COMMERCIAL
RESIDENTIAL

R-2
LAMP HOLDERS

TESTING & CODE COMPLIANCE

- UL Listed, file E7430, UL 496 requirements, Meet CSA requirements, C22.2 no. 43
- NOM Certified

MATERIAL CHARACTERISTICS

Temperature Rating:
-40°C to 65°C

Porcelain Ceiling Receptacle Lampholders

FEATURES

- High-strength insulator porcelain.
- Mounts on 4" (101.6mm) outlet boxes with breakout for 3.25" (82.55mm) box mounting.
- Pull chain socket interiors are removable.
- Pull chain devices include ball chain, 3' (0.91m) of cord, connector and end bell.
- Top wire versions have terminal screws backed out — ready for wiring — without removing the interior.
- Sockets available in two piece version to permit interior replacement, dust ring protects against plaster and dirt.
- Shade grooves provided on two piece version.

Medium Base Lampholder – 660W 250V

Rating						
W	V	Description	Terminals	Switch	Color	Catalog No.
660	250	One Piece with feed through	4 Screws Top Wire	Keyless	White	604



604

Medium Base Lampholder – 250W 250V

Rating						
W	V	Description	Terminals	Switch	Color	Catalog No.
250	250	Two Piece with feed through	4 Screws Top Wire	Pull Chain	White	659



659



669

Medium Base Lampholder – 250W 125V

Rating						
W	V	Description	Terminals	Switch	Color	Catalog No.
250	125	Two Piece w/ 15A 125V/AC 2P2W Outlet	2 Screws Top Wire	Pull Chain	White	669
250	125	Two Piece w/ 15A 125V/AC 2P3W Outlet	2 Screws Top Wire	Pull Chain	White	667



667



Top Wire

Sign, Heater, and Cleat Socket Lampholders

660W 250V
75W 125V



INDUSTRIAL
COMMERCIAL
RESIDENTIAL

R-10 LAMP HOLDERS

Sign Sockets – Porcelain Base, Thermoset Ring

FEATURES

- High-strength insulator porcelain
- For use in signs, fixtures, decorative lighting and similar applications.

Sign Sockets – Porcelain Base, Thermoset Ring

Rating		Description	Base	Switch	Color	Catalog No.
W	V					
660	250	2 piece with screw terminals	Medium	Keyless	White	610*
660	250	2 piece with 9" (228.6mm) wire leads	Medium	Keyless	White	609*

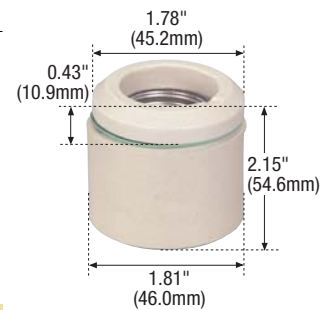
Heater Socket – Porcelain

FEATURES

- For use with Cooper Wiring Devices glocoils.

Heater Socket – Porcelain

Rating		Description	Base	Switch	Color	Catalog No.
W	V					
660	250	2 piece with screw terminals	Edison	Keyless	White	602*



602

Cleat Sockets – Thermoset

FEATURES

- For use with stage lighting and similar applications.

Cleat Sockets – Thermoset

Rating		Description	Base	Switch	Color	Catalog No.
W	V					
660	250	Front wire screw terminals	Medium	Keyless	White Brown	752W* 752B*
75	125	Front wire screw terminals	Candelabra	Keyless	White	304†
75	125	Front wire screw terminals	Miniature	Keyless	White	303†



752



304

*UL Listed, file E7430; CSA file 1739 (6231-07)
†UL file E26358; CSA file 21433 (6231-05)

TESTING & CODE COMPLIANCE

- UL Listed, file E7430 or 26358, UL 496 requirements,
- CSA Certified, Meet CSA requirements, C22.2 no. 43
- NOM Certified

MATERIAL CHARACTERISTICS

Temperature Rating:
-40°C to 65°C

Lampholder Adapters



INDUSTRIAL
COMMERCIAL
RESIDENTIAL

R-16 LAMP HOLDERS

TESTING & CODE COMPLIANCE

- UL Listed, file E15055, UL 496 requirements
- CSA Certified, file 1739 (6231-07), Meet CSA requirements, C22.2 no. 43
- NOM Certified

MATERIAL CHARACTERISTICS

Temperature Rating:
-40°C to 65°C

Polarized Medium Base Socket Adapters

FEATURES

- Outlets on adapters are 2-wire polarized.
- Pull chain for 718 controls lampholder. Side outlets are always on.

Polarized Medium Base Socket Adapters - 2P2W

Rating		Socket to	Switch	Color	Catalog No.
W	V				
250	125	One Socket & Two Outlets	Pull Chain	Brown	718B
				Ivory	718V
660	125	One Socket & Two Outlets	Keyless	Brown	715B
				Ivory	715V
660	125	Two Sockets	Keyless	Brown	700B*
				Ivory	700V*
660	125	Outlet	Keyless	Brown	758B†
				Ivory	758V†
660	125	Outlet	Keyless	Brown	808

Polarized Medium Base Outlet Adapters - 2P2W

Rating		Socket to	Switch	Color	Catalog No.
W	V				
660	125	Socket	Keyless	Brown	738B
				Ivory	738V
				White	738W

Polarized Medium Base Adapters - 2P2W

Rating		Socket to	Switch	Color	Catalog No.
W	V				
660	250	Medium Base to Mogul	Keyless	Brown	362††

*CSA certified, file 2054 (6224-01)

†Not CSA

††Not UL



718



715



700



758



808



738



362